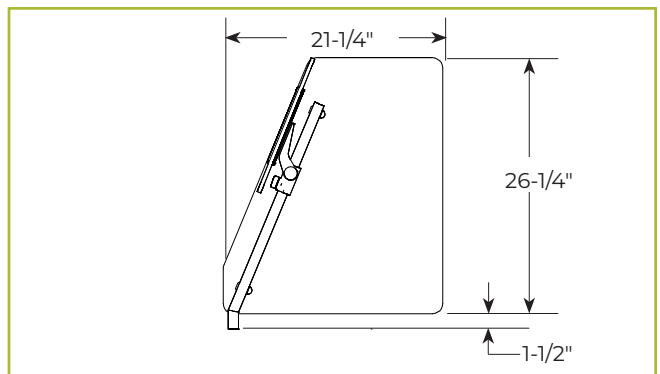
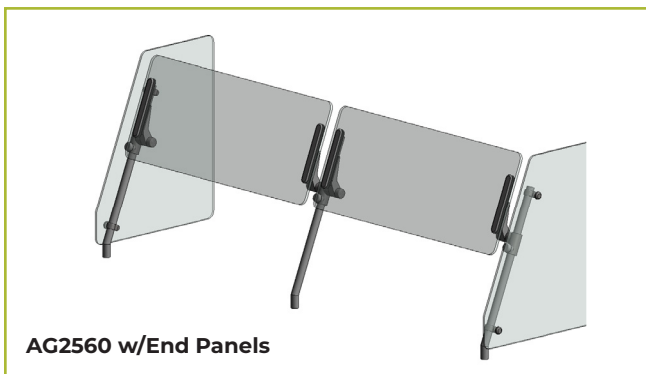
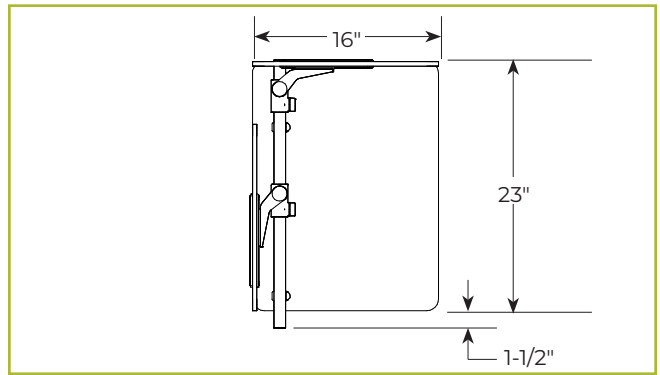
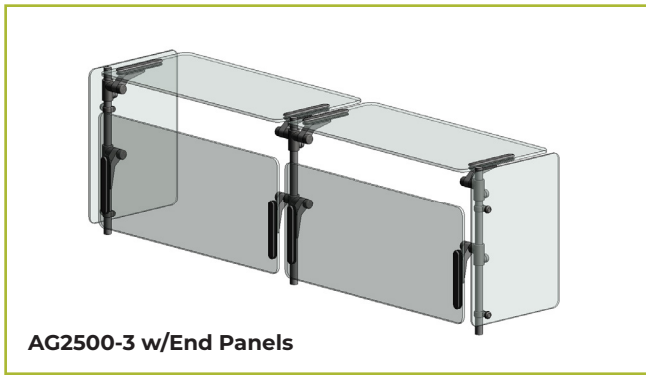
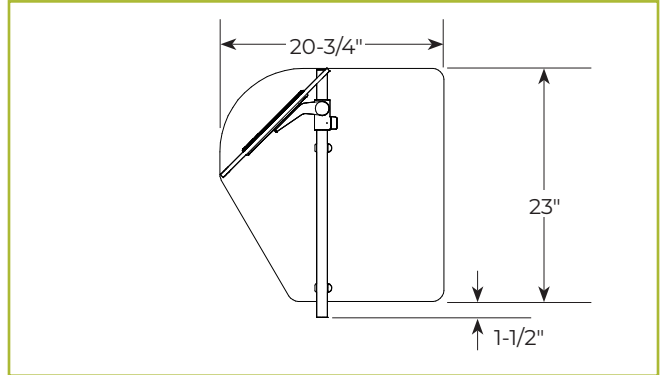
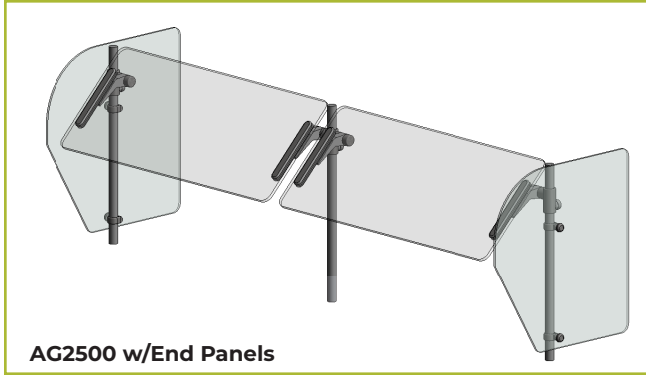


END PANELS

To meet NSF guidelines, end panels are included on all BSI quotations unless specifically excluded. The following section shows size and location of glass end panels for select AdvanceGuard models. For end panel information relating to additional models, contact BSI.



END PANELS

To meet NSF guidelines, end panels are included on all BSI quotations unless specifically excluded. The following section shows size and location of glass end panels for select AdvanceGuard models. For end panel information relating to additional models, contact BSI.

